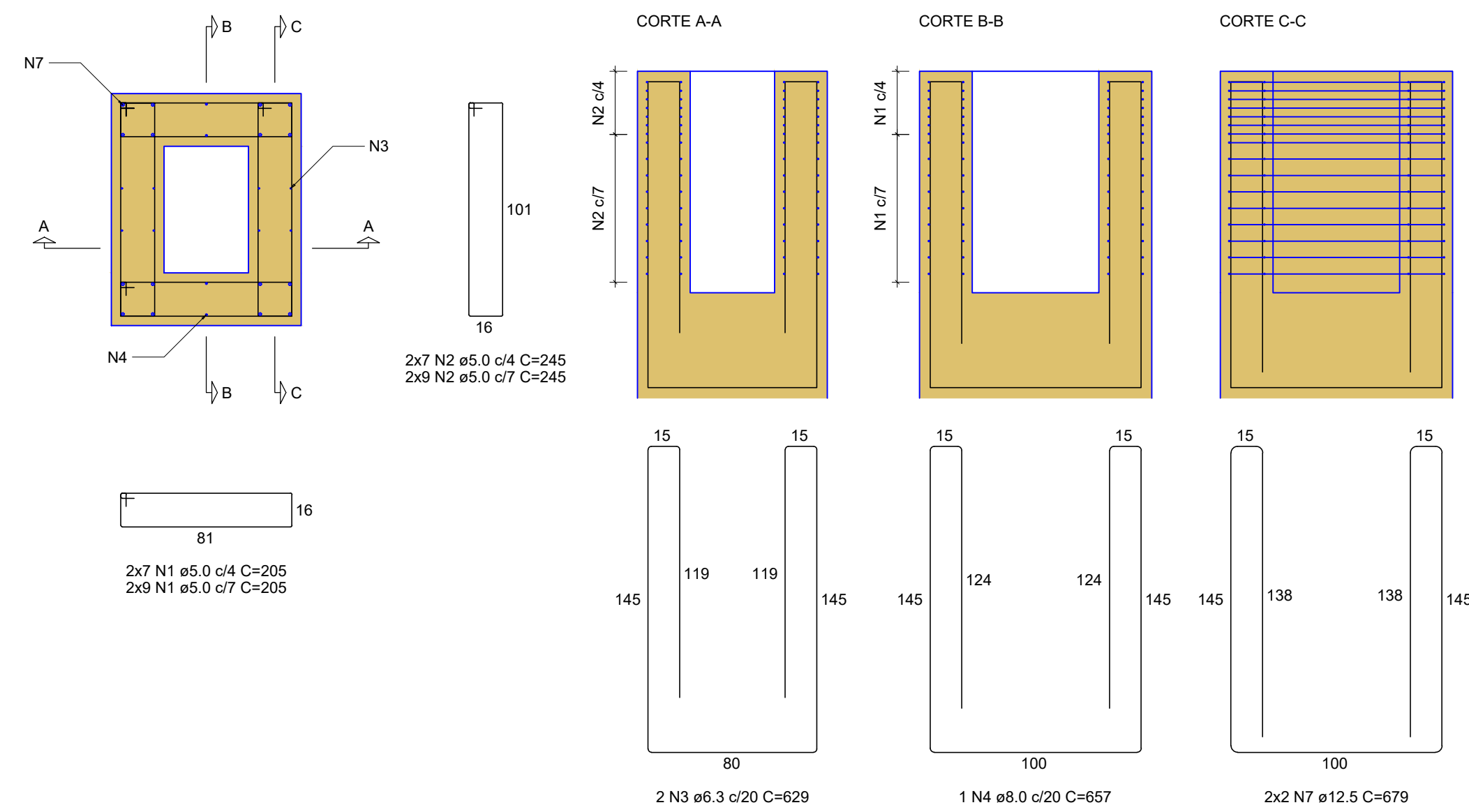
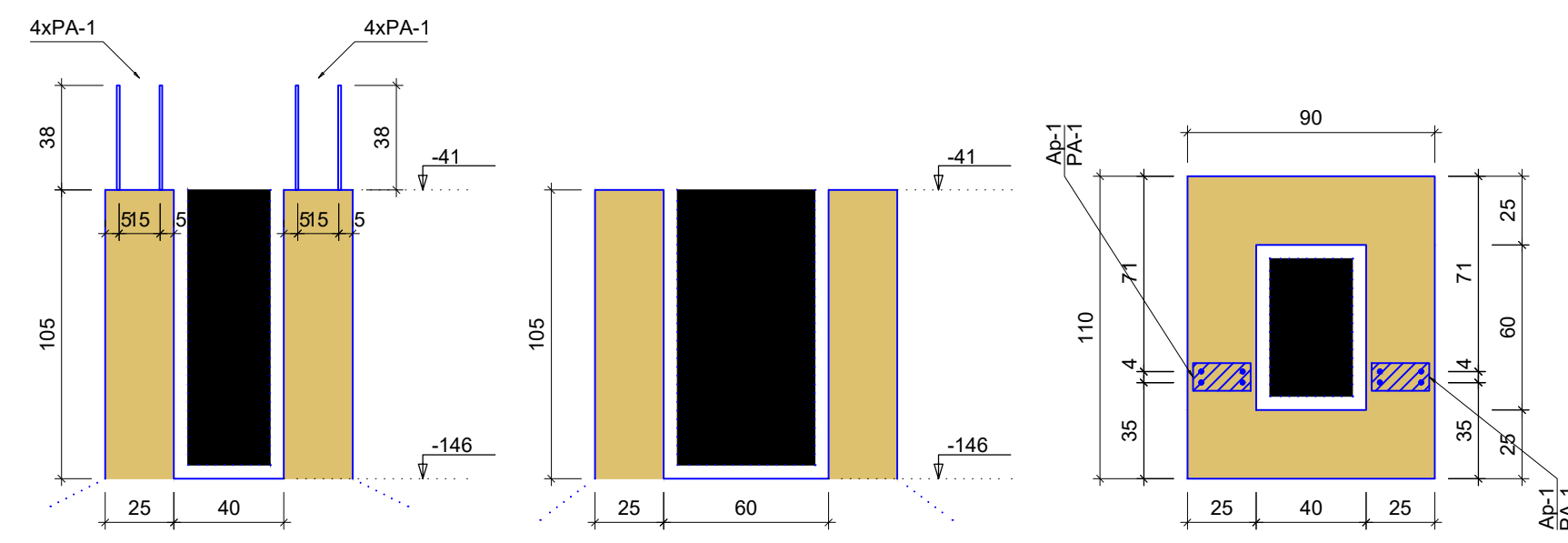
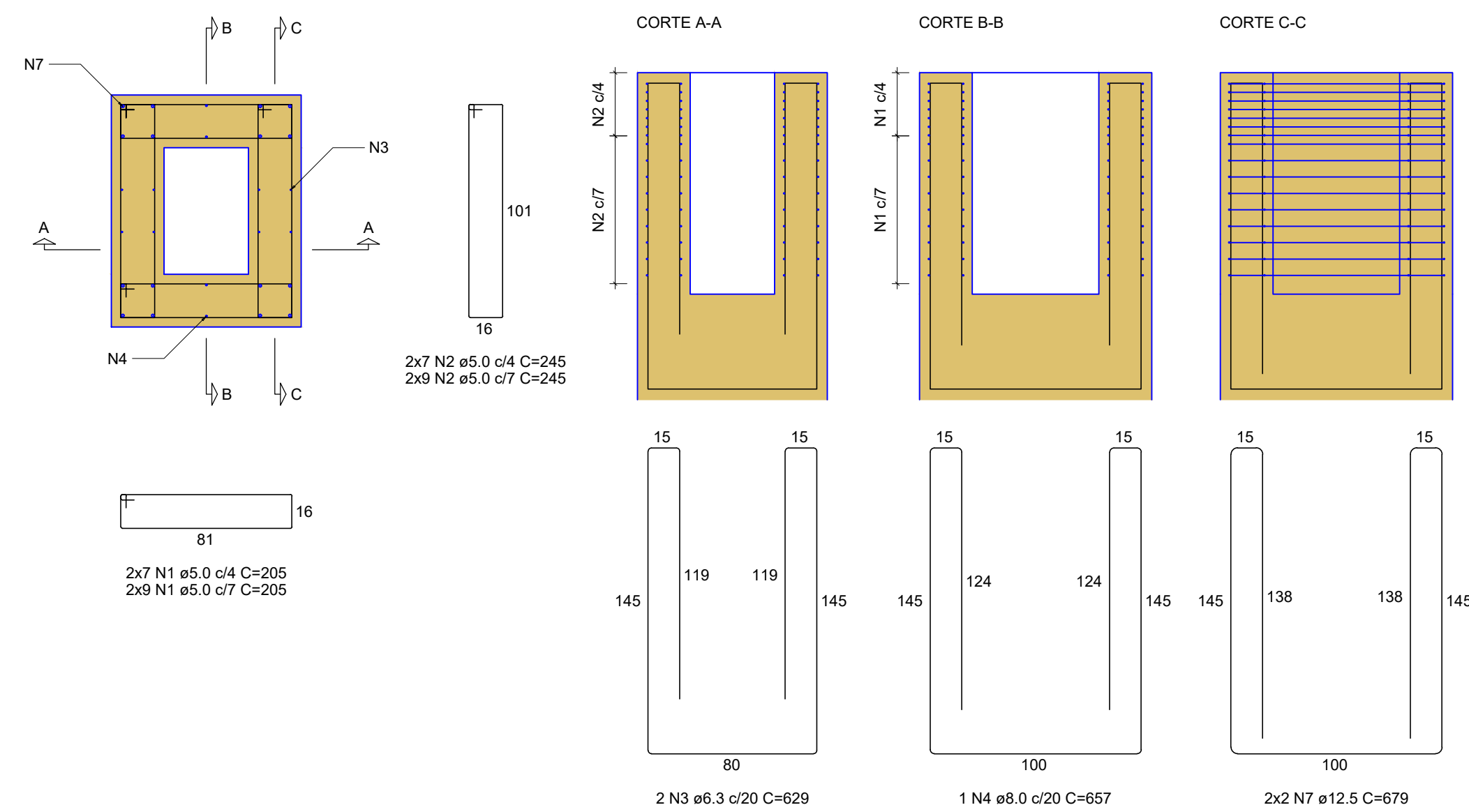
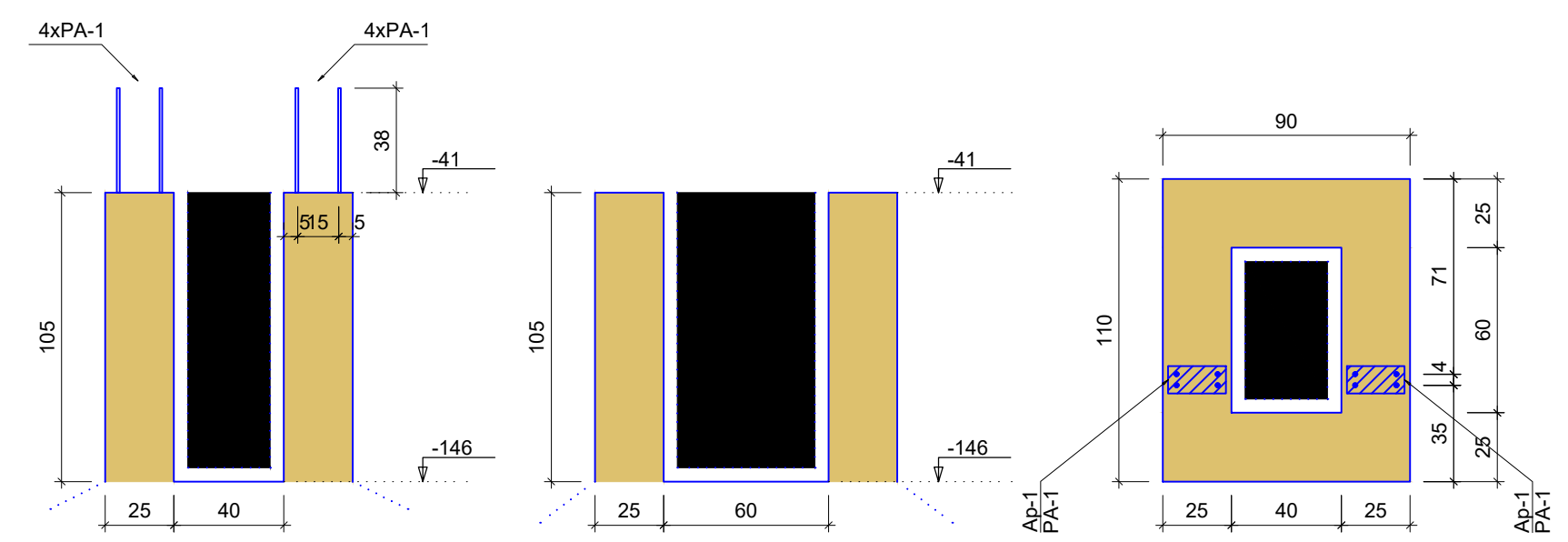


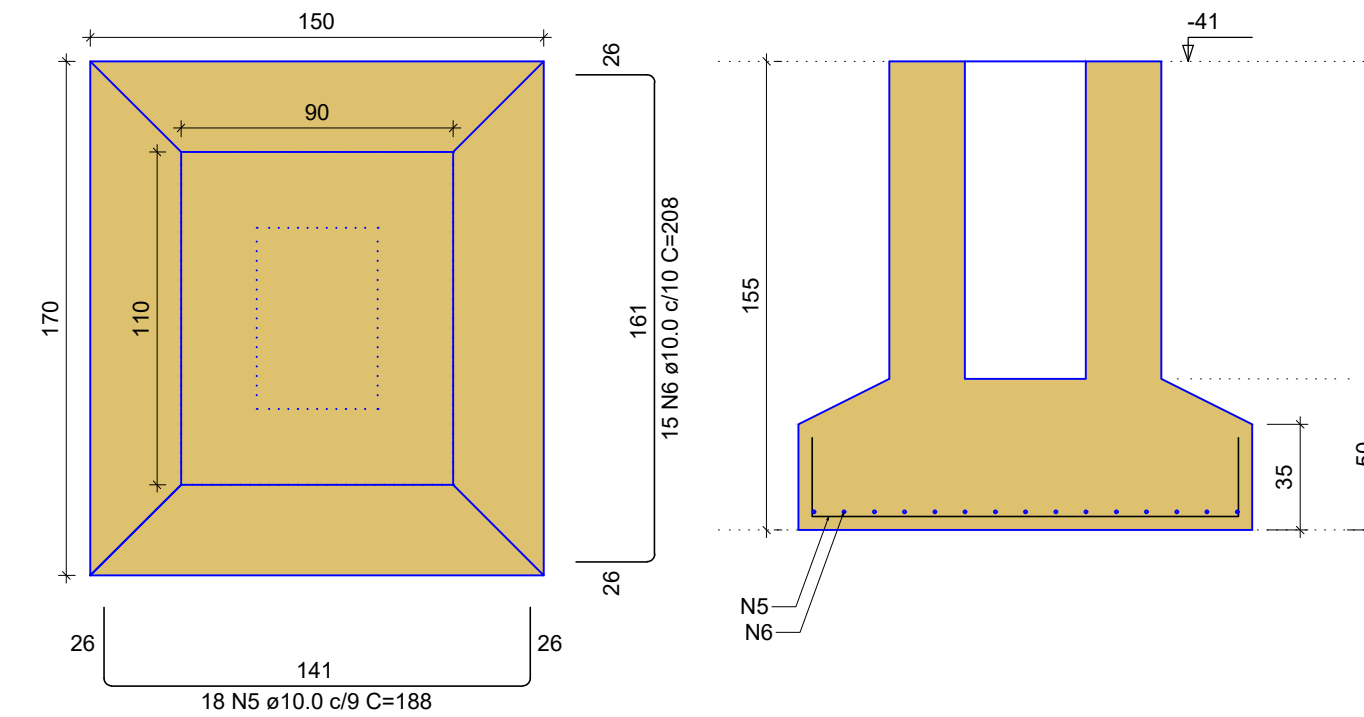
Cálice P3
ESC 1:25



Cálice P4
ESC 1:25

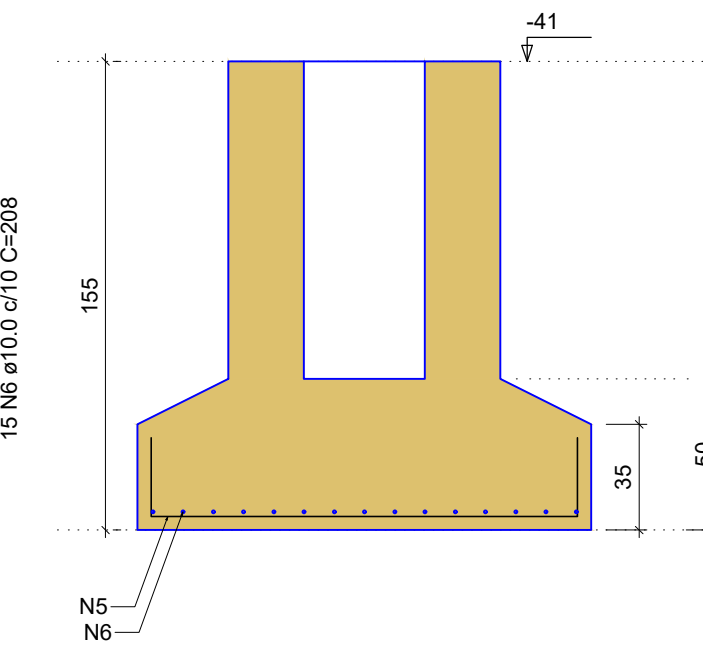


S3
PLANTA
ESC 1:25



Solo com capacidade de suporte > 2.00 kgf/cm²
Solo compactado sobre a sapata
peso específico > 1600.00 kg/m³
A sondagem fica por conta da empresa executora, caso avalie necessário, e conseqüentemente, se o solo for frágil, deverá reforçar as fundações/reservatório.

CORTE
ESC 1:25



RELAÇÃO DO AÇO				
ACO	N	DIAM	QUANT	C TOTAL
CA80	1	8.0	64	1712
CA80	2	8.0	64	1712
CA80	3	8.0	64	1712
CA80	4	8.0	64	1712
CA80	5	8.0	64	1712
CA80	6	8.0	64	1712
CA80	7	8.0	64	1712
CA80	8	8.0	64	1712
CA80	9	8.0	64	1712
CA80	10	8.0	64	1712
CA80	11	8.0	64	1712
CA80	12	8.0	64	1712
CA80	13	8.0	64	1712
CA80	14	8.0	64	1712
CA80	15	8.0	64	1712
CA80	16	8.0	64	1712
CA80	17	8.0	64	1712
CA80	18	8.0	64	1712
CA80	19	8.0	64	1712
CA80	20	8.0	64	1712
CA80	21	8.0	64	1712
CA80	22	8.0	64	1712
CA80	23	8.0	64	1712
CA80	24	8.0	64	1712
CA80	25	8.0	64	1712
CA80	26	8.0	64	1712
CA80	27	8.0	64	1712
CA80	28	8.0	64	1712
CA80	29	8.0	64	1712
CA80	30	8.0	64	1712
CA80	31	8.0	64	1712
CA80	32	8.0	64	1712
CA80	33	8.0	64	1712
CA80	34	8.0	64	1712
CA80	35	8.0	64	1712
CA80	36	8.0	64	1712
CA80	37	8.0	64	1712
CA80	38	8.0	64	1712
CA80	39	8.0	64	1712
CA80	40	8.0	64	1712
CA80	41	8.0	64	1712
CA80	42	8.0	64	1712
CA80	43	8.0	64	1712
CA80	44	8.0	64	1712
CA80	45	8.0	64	1712
CA80	46	8.0	64	1712
CA80	47	8.0	64	1712
CA80	48	8.0	64	1712
CA80	49	8.0	64	1712
CA80	50	8.0	64	1712

RELAÇÃO DO AÇO				
ACO	N	DIAM	QUANT	C TOTAL
CA80	1	8.0	64	1712
CA80	2	8.0	64	1712
CA80	3	8.0	64	1712
CA80	4	8.0	64	1712
CA80	5	8.0	64	1712
CA80	6	8.0	64	1712
CA80	7	8.0	64	1712
CA80	8	8.0	64	1712
CA80	9	8.0	64	1712
CA80	10	8.0	64	1712
CA80	11	8.0	64	1712
CA80	12	8.0	64	1712
CA80	13	8.0	64	1712
CA80	14	8.0	64	1712
CA80	15	8.0	64	1712
CA80	16	8.0	64	1712
CA80	17	8.0	64	1712
CA80	18	8.0	64	1712
CA80	19	8.0	64	1712
CA80	20	8.0	64	1712
CA80	21	8.0	64	1712
CA80	22	8.0	64	1712
CA80	23	8.0	64	1712
CA80	24	8.0	64	1712
CA80	25	8.0	64	1712
CA80	26	8.0	64	1712
CA80	27	8.0	64	1712
CA80	28	8.0	64	1712
CA80	29	8.0	64	1712
CA80	30	8.0	64	1712
CA80	31	8.0	64	1712
CA80	32	8.0	64	1712
CA80	33	8.0	64	1712
CA80	34	8.0	64	1712
CA80	35	8.0	64	1712
CA80	36	8.0	64	1712
CA80	37	8.0	64	1712
CA80	38	8.0	64	1712
CA80	39	8.0	64	1712
CA80	40	8.0	64	1712
CA80	41	8.0	64	1712
CA80	42	8.0	64	1712
CA80	43	8.0	64	1712
CA80	44	8.0	64	1712
CA80	45	8.0	64	1712
CA80	46	8.0	64	1712
CA80	47	8.0	64	1712
CA80	48	8.0	64	1712
CA80	49	8.0	64	1712
CA80	50	8.0	64	1712

RELAÇÃO DO AÇO				
ACO	N	DIAM	QUANT	C TOTAL
CA80	1	8.0	64	1712
CA80	2	8.0	64	1712
CA80	3	8.0	64	1712
CA80	4	8.0	64	1712
CA80	5	8.0	64	1712
CA80	6	8.0	64	1712
CA80	7	8.0	64	1712
CA80	8	8.0	64	1712
CA80	9	8.0	64	1712
CA80	10	8.0	64	1712
CA80	11	8.0	64	1712
CA80	12	8.0	64	1712
CA80	13	8.0	64	1712
CA80	14	8.0	64	1712
CA80	15	8.0	64	1712
CA80	16	8.0	64	1712
CA80	17	8.0	64	1712
CA80	18	8.0	64	1712
CA80	19	8.0	64	1712
CA80	20	8.0	64	1712
CA80	21	8.0	64	1712
CA80	22	8.0	64	1712
CA80	23	8.0	64	1712
CA80	24	8.0	64	1712
CA80	25	8.0	64	1712
CA80	26	8.0	64	1712
CA80	27	8.0	64	1712
CA80	28	8.0	64	1712
CA80	29	8.0	64	1712
CA80	30	8.0	64	1712
CA80	31	8.0	64	1712
CA80	32	8.0	64	1712
CA80	33	8.0	64	1712
CA80	34	8.0	64	1712
CA80	35	8.0	64	1712
CA80	36	8.0	64	1712
CA80	37	8.0	64	1712
CA80	38	8.0	64	1712
CA80	39	8.0	64	1712
CA80	40	8.0	64	1712
CA80	41	8.0	64	1712
CA80	42	8.0	64	1712
CA80	43	8.0	64	1712
CA80	44	8.0	64	1712
CA80	45	8.0	64	1712
CA80	46	8.0	64	1712
CA80	47	8.0	64	1712
CA80	48	8.0	64	1712
CA80	49	8.0	64	1712
CA80	50	8.0	64	1712

RELAÇÃO DO AÇO				
ACO	N	DIAM	QUANT	C TOTAL
CA80	1	8.0	64	1712
CA80	2	8.0	64	1712
CA80	3	8.0	64	1712
CA80	4	8.0	64	1712
CA80	5	8.0	64	1712
CA80	6	8.0	64	1712
CA80	7	8.0	64	1712
CA80	8	8.0	64	1712
CA80	9	8.0	64	1712
CA80	10	8.0	64	1712
CA80	11	8.0	64	1712
CA80	12	8.0	64	1712
CA80	13	8.0	64	1712
CA80	14	8.0	64	1712
CA80	15	8.0	64	1712
CA80	16	8.0	64	1712
CA80	17	8.0	64	1712
CA80	18	8.0	64	1712
CA80	19	8.0	64	1712
CA80	20	8.0	64	1712
CA80	21	8.0	64	1712
CA80	22	8.0	64	1712
CA80	23	8.0	64	1712
CA80	24	8.0	64	1712
CA80	25	8.0	64	1712
CA80	26	8.0	64	1712
CA80	27	8.0	64	1712
CA80	28	8.0	64	1712
CA80	29	8.0	64	1712
CA80	30	8.0	64	1712
CA80	31	8.0	64	1712
CA80	32	8.0	64	1712
CA80	33	8.0	64	1712
CA80	34	8.0	64	1712
CA80	35	8.0	64	1712
CA80	36	8.0	64	1712
CA80	37	8.0	64	1712
CA80	38	8.0	64	1712
CA80	39	8.0	64	1712
CA80	40	8.0	64	1712
CA80	41	8.0	64	1712
CA80	42	8.0	64	1712
CA80	43	8.0	64	1712
CA80	44	8.0	64	1712
CA80	45	8.0	64	1712
CA80	46	8.0	64	1712
CA80	47	8.0	64	1712
CA80	48	8.0	64	1712
CA80	49	8.0	64	1712
CA80	50	8.0	64	1712

RELAÇÃO DO AÇO				
ACO	N	DIAM	QUANT	C TOTAL
CA80	1	8.0	64	1712
CA80	2	8.0	64	1712
CA80	3	8.0	64	1712
CA80	4	8.0	64	1712
CA80	5	8.0	64	1712
CA80	6	8.0		